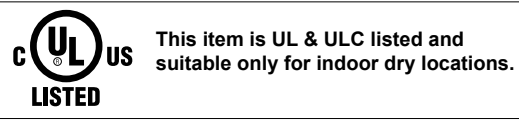


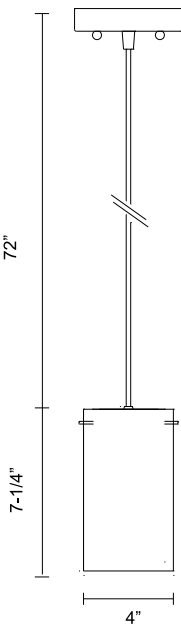
# Installation for 41301

Amber: 41301A / Blue: 41301B  
 White: 41301W / Red: 41301R

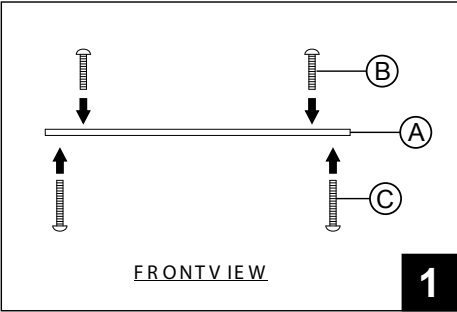


## ▶ START FROM HERE

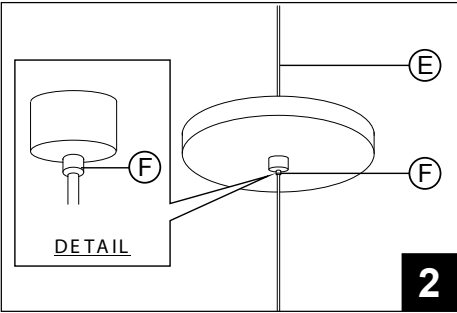
1. Before assembling lighting fixtures, make sure you have electrical wiring experience or have your fixture installed by a qualified licensed electrician.
2. Prepare everything in a clear area.
3. Put on gloves all the time during this installation.
4. Take out fixture and glass from box.
5. Read instructions carefully before you assemble.



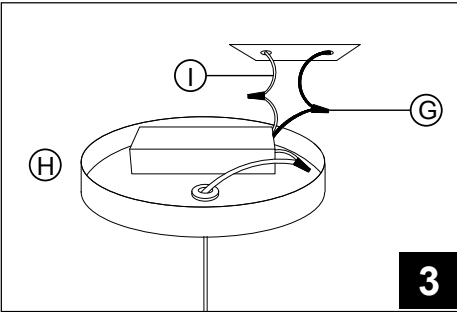
1. Take out the hanging bar (A) for mounting by threading two screws (B).
2. Then mount the hanging bar (A) carefully to the junction box by using the two screws (C) provided.



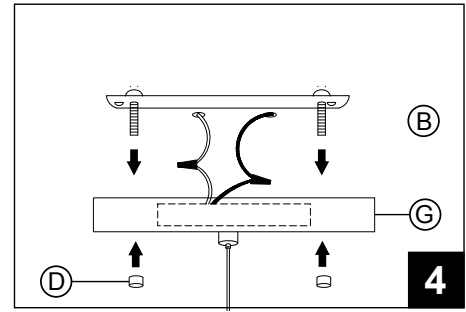
1. Determine the overall length you need the assembled fixture to be.
2. Adjust the fixture height: To extend the length by releasing the cord (E) or to shorten the cord (E) by pressing (F), then release (F) to lock and fasten the wire.



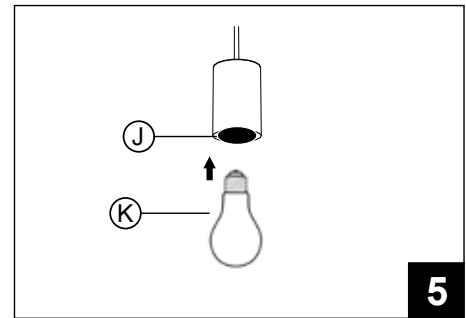
1. Turn off the power at the electrical panel.
2. Connect the power cords (I) by using the marettes (G) and connecting the white wire to neutral wire in the supply circuit. Connect the clear wire to the hot wire in the supply circuit.
3. Connect the ground wire from the fixture to the ground wire in the supply circuit.
4. Wrap excess cord together and put in canopy cover (H).



1. Carefully tread on both ball knobs (D) and screws (B) to secure ceiling canopy (G) to the ceiling.



1. Screw in light bulb (K) completely into the socket (J).



1. To install glass shade (N), hold the glass shade (N) with one hand and screw the three screws (O) with the other hand.
2. Fixture can now be lamped accordingly.

